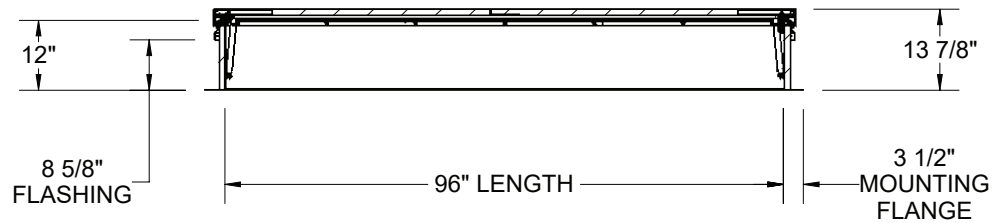
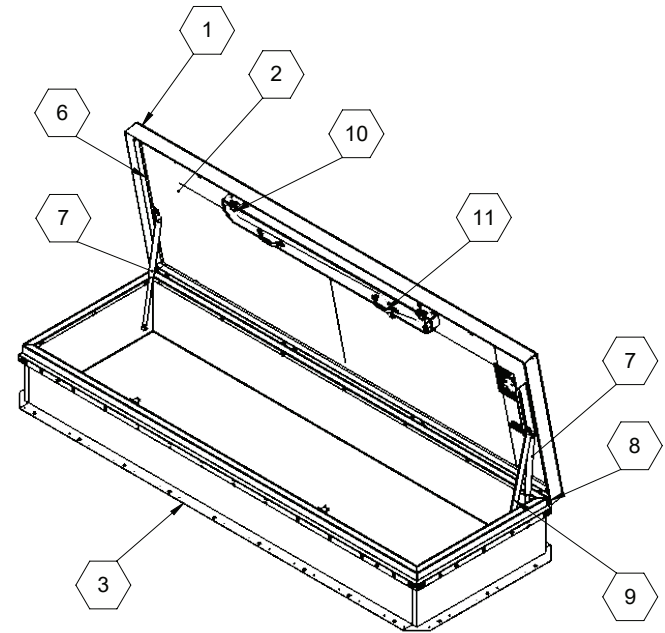


SECTION A-A



SECTION B-B



MIAMI DADE ACCEPTANCE NO: 21-1201.02  
EXPIRATION DATE: 5/25/2027

TEST CERTIFICATIONS:  
TAS201-94 IMPACT TEST - CLASS IV  
TAS202-94 UNIFORM STATIC AIR PRESSURE  
TAS203-94 CYCLE WIND PRESSURE LOAD

**SPECIFICATIONS:**

- ① **COVER:**  
14 GA GALV STEEL, STIFFENED TO WITHSTAND A LIVE LOAD OF 40PSF WITH A MAX DEFLECTION OF 1/150 OF THE SPAN.
- ② **LINER:** 22 GA GALV STEEL
- ③ **CURB:** 14 GA GALV STEEL, CURB COUNTERFLASH WITH EZ TABS.
- ④ **FINISH:** RED OXIDE PWD
- ⑤ **INSULATION:** 1" POLYISO R-6 (5.6 LTTR) IN CURB, 1" POLYSTYRENE R-4 (3.8 LTTR) IN COVER.
- ⑥ **GASKET:**  
EXTRUDED EPDM RUBBER ADHESIVE BACKED GASKET SEAL CONTINUOUS AROUND COVER.
- ⑦ **SPRING:**  
GAS SPRING WITH DAMPER FOR SMOOTH, CONTROLLED, COUNTERBALANCED LIFT ASSISTANCE.
- ⑧ **HINGE:** PINTLE HINGE WITH STAINLESS STEEL HINGE PINS.
- ⑨ **HOLD OPEN ARM:**  
ZINC PLATED STEEL AUTOMATIC HOLD OPEN ARM LOCKS COVER IN FULLY OPEN POSITION WITH RED GRIP HANDLE PULL RELEASE.

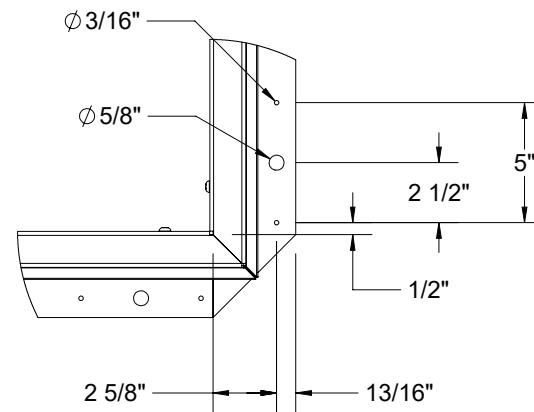
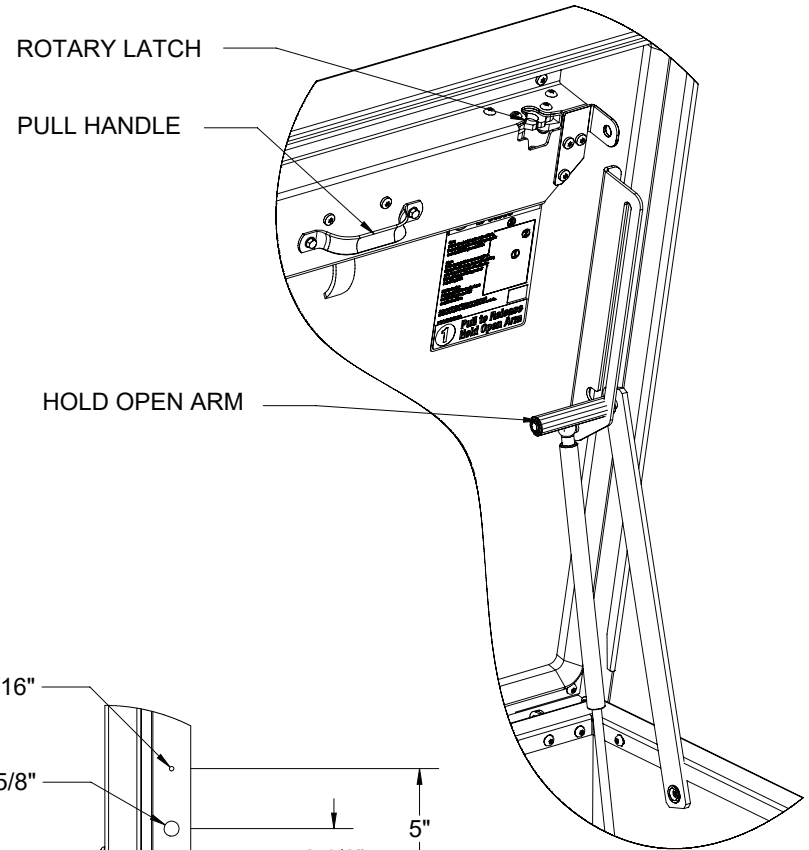
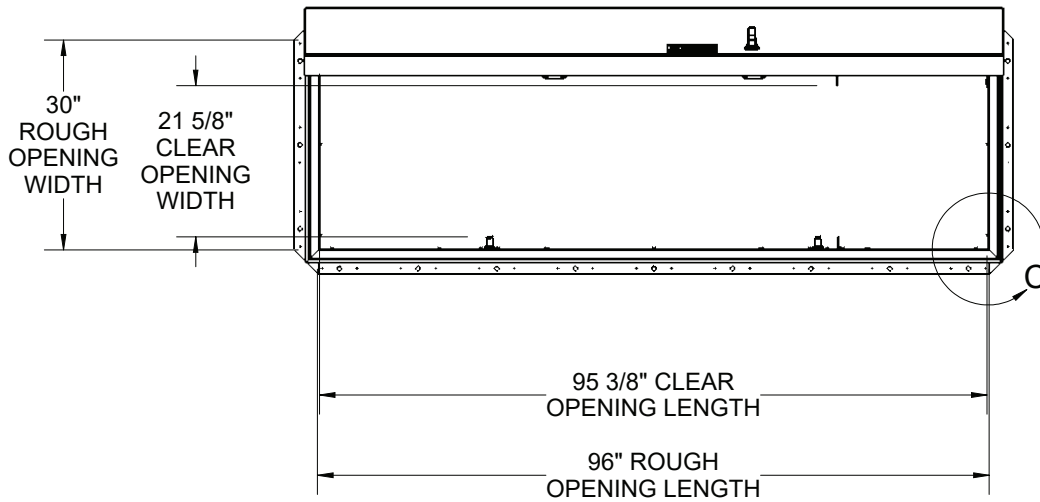
- ⑩ **LATCH:**  
ZINC PLATED STEEL SLAM LATCH, HOLDS COVERS CLOSED AGAINST WIND UPLIFT, INTERIOR AND EXTERIOR HANDLES WITH PADLOCK HASPS.
- ⑪ **PULL HANDLE:** INTERIOR PULL DOWN HANDLE

**NOTES:**  
-WHEN INSTALLING ON A PITCHED ROOF UP TO 7:12, THE HINGE SIDE(LENGTH)MUST BE PARALLEL TO THE SLOPE.  
- WIDTH X LENGTH DIMENSIONS ARE MEASURED INSIDE CURB TO INSIDE CURB. THE WIDTH IS HINGE TO LATCH AND LENGTH IS HINGED SIDE.

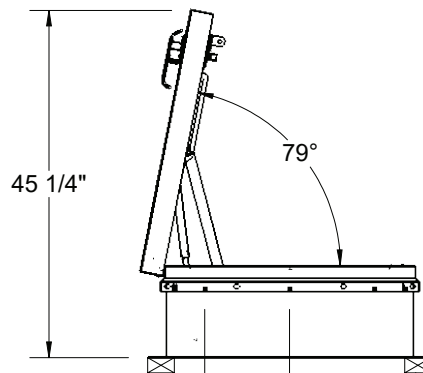
**ROOF HATCH SIZE:** 30" (WIDTH) x 96" (LENGTH)

PROPRIETARY AND CONFIDENTIAL: THE INFORMATION CONTAINED IN THIS DRAWING IS THE SOLE PROPERTY OF TRI-BUILT®. ANY REPRODUCTION IN PART OR AS A WHOLE WITHOUT THE WRITTEN PERMISSION OF TRI-BUILT® IS PROHIBITED.

PROJECT:			
ARCHITECT:			
CONTRACTOR:			
QTY:			
PART#:		TBG3096	
		TITLE:	
		BRHUG30X96S1T Roof Hatch, Personnel, 30x96, S Dr, Zinc Hdw, Galv, Red Oxide Pwd, Sngl Wall Curb	
NAME	DATE	SIZE	DWG. NO.
RAK	4/18/23	A	TRI-BUILT RH TBG3096 ShpDr
RELEASED			WEIGHT: 356.8 LBS
			SHEET 1 OF 2



DETAIL C  
SCALE 1 : 8



EZ TAB TO SECURE  
MEMBRANE  
VARIES 5"-8"

WOOD, CONCRETE, OTHER  
MATERIAL FOR MOUNTING  
BY OTHERS (NIC)



TITLE: BRHUG30X96S1T  
Roof Hatch, Personnel,  
30x96, S Dr, Zinc Hdw, Galv, Red Oxide Pwd,  
Sngl Wall Curb

	NAME	DATE	SIZE	DWG. NO.	REV
DRAWN	RAK	4/18/23	A	TRI-BUILT RH TBG3096 ShpDr	
RELEASED				WEIGHT: 356.8 LBS	SHEET 2 OF 2